

rapideye

## Plug & Play

Rapideye MI-1000 eliminates the mess of multiple cables with the 'Plug-and-Play' principle. The standard USB Type-C port is quickly connected to your PC with a single cable, without the need for fixed or special cables or intermediate adapters.



rapideye

# MI-1000

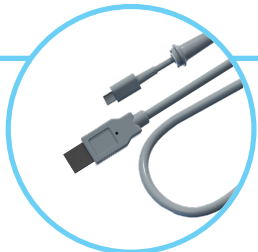
### Technical Specifications

RAPIDEYE MI-1000			
Scanning Technology	Scanning Area	Standard Scanner Tip (L) Small Scanner Tip (S)	16 x 14mm 12 x 12mm
	Full-arch		20.0µm
	Scanning Frame		80 FPS
	Anti-fogging		Available
Handpiece	Weight		182 gr.
	Dimensions		217 x 54 x 24mm
Cable	Length		1.8m/Replaceable Cable
	Connection		USB 3.0 Type-C
Calibration	Accuracy Calibration		Automatic
	Color Calibration		Automatic
Data	Format		STL / PLY
Scanning Tip	Autoclavability		121°C 30 min. 134°C 4 min.
	Tip Size	Standard Scanner Tip (L) Small Scanner Tip (S)	22 x 18mm 18.6x16.7mm
	Reversible Tip		180° Reversible Tip

### MI-1000 Case Contents



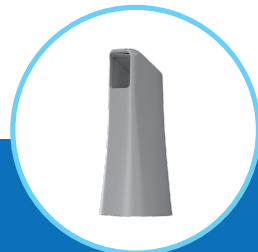
MI-1000 Scanner  
(1 pc)



Replaceable 1.8m  
USB Type-C Cable  
(1 pc)



Scanner Stand  
(1 pc)



Scanning Tip L  
(3 pc)



Scanning Tip S  
(1 pc)



USB Flash Driver  
(1 pc)

### System Requirements

Processor	Intel®Core™ i7-12700H Generation, Core Frequency 2.4 GHz (or better)
Memory	16 GB (or more) DDR4, Frequency 2666 MHz (or better)
Hard Drive	512GB (or more) SSD
Graphics Cards	NVIDIA® GeForce® RTX 3060 (or better)
Display	15.6" FHD (1920 x 1080) (or more)
Operating System	Windows 10/11

rapideye

Digital  
Solutions



MODE MEDİKAL®

Abdi İpekçi Cad. No:58 Bayrampaşa  
34030 İSTANBUL / TÜRKİYE  
+90 (212) 612 64 09

MODE MEDİKAL®



0001-11

rapideye

MI-10000

## Impressive Performance

Single Jaw  
**30sec**

### 80 FPS for fast and precise scanning

Rapideye MI-1000 completes a single jaw scan with 20 µm accuracy in less than 30 seconds with image processing at 80 FPS (frames per second).

## High Accuracy

Single Tooth  
**10 µm**

Full arch  
**20 µm**

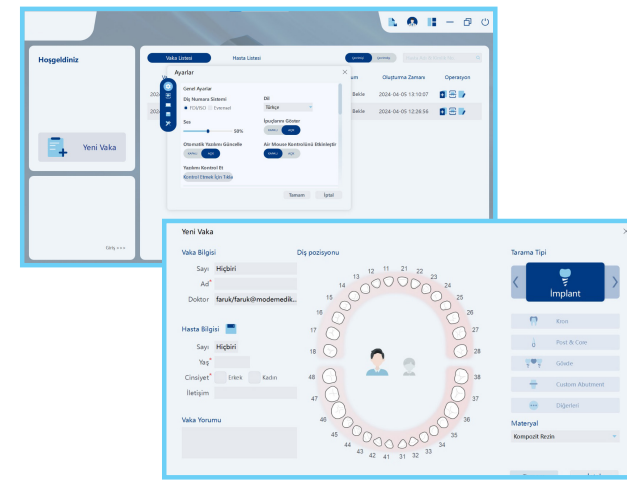
## Wider Scanning Area

16x14mm

The MI-1000 provides a wide field of view (16x14mm) in a compact and lightweight design. With its 16mm x 14mm wide field of view, the MI-1000 reduces your scan time by collecting more data in a single frame.



## User-Friendly Software

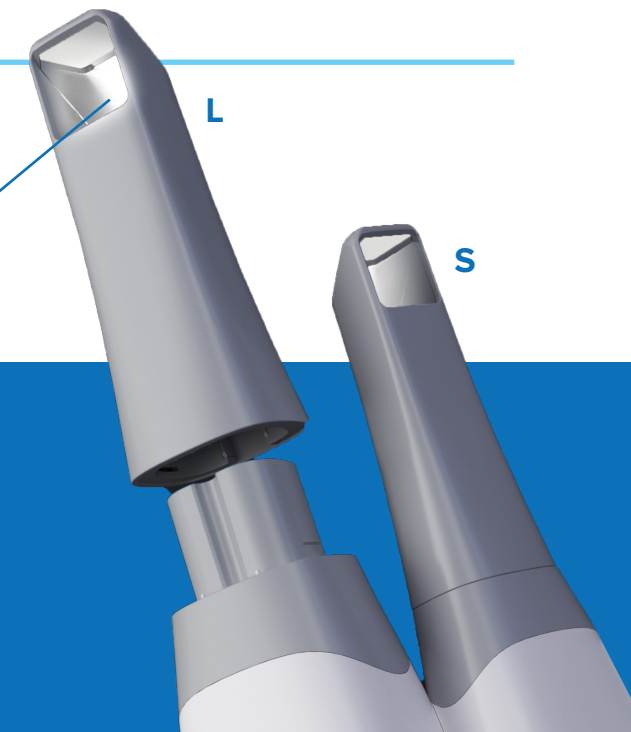


- TR Multilingual Interface**  
Multi-language support makes it easier for users to understand and use all the device's functions.
- Cloud Storage**  
100 GB of free, optionally expandable storage up to 2TB for fast data transfer
- Smart Reminder**  
Smart screens to guidance the user during scanning
- Automatic Software Update**  
Free software update
- Online 3D Viewing**  
View scan files in 3D in the cloud
- AI Artificial Intelligence Support**  
Artificial intelligence prevents data overlaps by automatically removing soft textures.

## Scanning Tips (L/S)

Removable and 180° Reversible

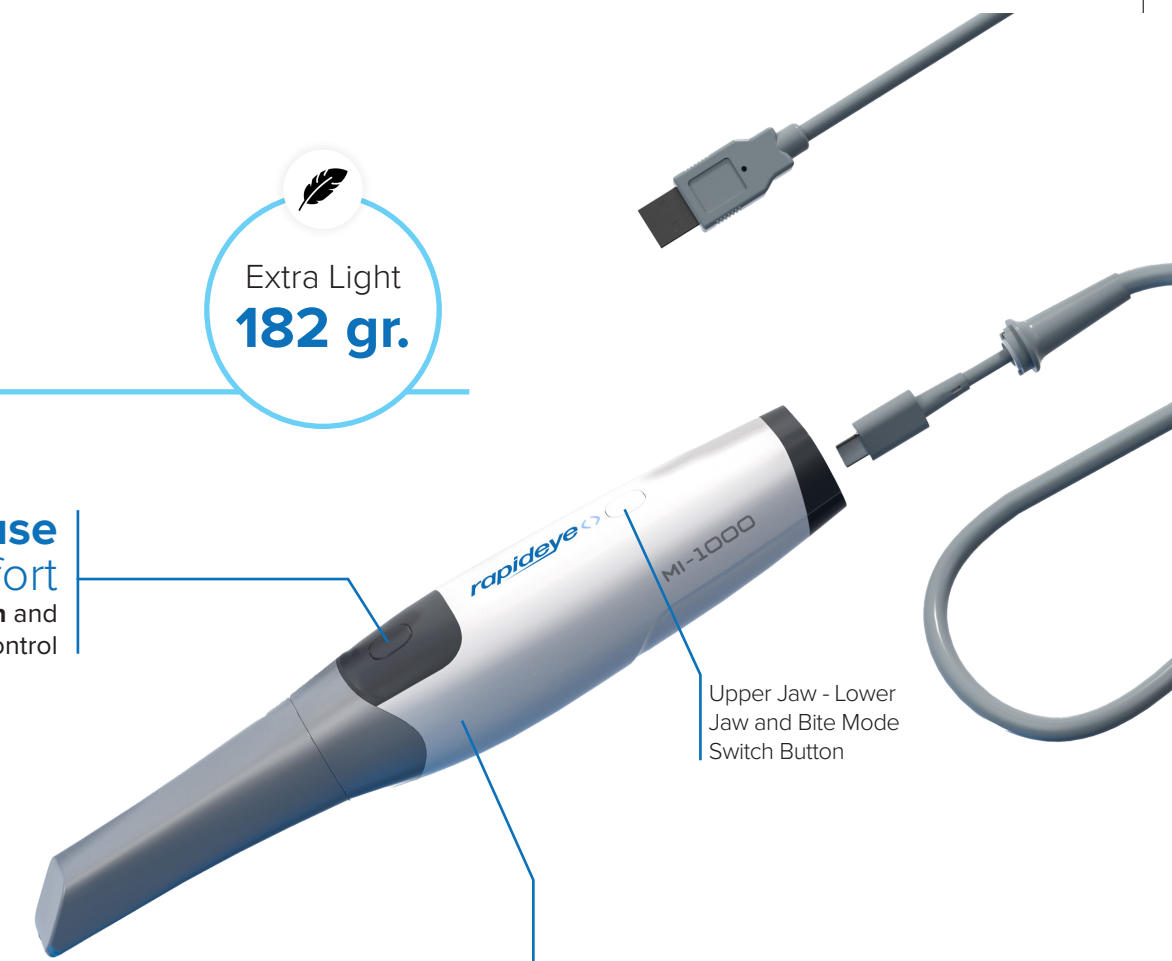
With Improved Air Duct Design  
Anti-fogging  
LED light source



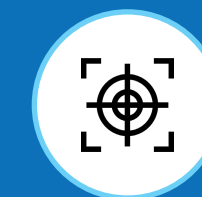
## Ergonomic Design

Extra Light  
**182 gr.**

**Air Mouse Comfort**  
One button and you're in control



**Automatic Light Adjustment Sensor:**  
The MI-1000 instantly adapts to different clinical conditions and reflections of scanning surfaces and automatically adjusts the light strength to ensure clear and optimal scan quality.



## Automatic Calibration

RAPIDEYE MI-1000 is a device with automatic calibration technology. This feature allows the device to automatically calibrate itself with each use. This ensures uninterrupted performance and saves users the time associated with manual calibrations.