

rapideye

Plug & Play

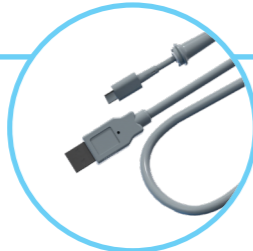
Rapideye MI-1000 eliminates the mess of multiple cables with the 'Plug-and-Play' principle. The standard USB Type-C port is quickly connected to your PC with a single cable, without the need for fixed or special cables or intermediate adapters.



MI-1000 Case Contents



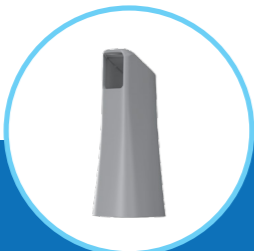
MI-1000 Scanner
(1 pc)



Replaceable 1.8m
USB Type-C Cable
(1 pc)



Scanner Stand
(1 pc)



Scanning Tip L
(3 pc)



Scanning Tip S
(1 pc)



USB Flash Driver
(1 pc)

rapideye

MI-1000

Technical Specifications

RAPIDEYE MI-1000			
Scanning Technology	Scanning Area	Standard Scanner Tip (L) Small Scanner Tip (S)	16 x 14mm 12 x 12mm
	Full-arch		20.0µm
	Scanning Frame		80 FPS
	Anti-fogging		Available
Handpiece	Weight		182 gr.
	Dimensions		217 x 54 x 24mm
Cable	Length		1.8m/Replaceable Cable
	Connection		USB 3.0 Type-C
Calibration	Accuracy Calibration		Automatic
	Color Calibration		Automatic
Data	Format		STL / PLY
Scanning Tip	Autoclavability		121°C 30 min. 134°C 4 min.
	Tip Size	Standard Scanner Tip (L) Small Scanner Tip (S)	22 x 18mm 18.6x16.7mm
	Reversible Tip		180° Reversible Tip

System Requirements

Processor	Intel®Core™ i7-12700H Generation, Core Frequency 2.4 GHz (or better)
Memory	16 GB (or more) DDR4, Frequency 2666 MHz (or better)
Hard Drive	512GB (or more) SSD
Graphics Cards	NVIDIA® GeForce® RTX 3060 (or better)
Display	15.6" FHD (1920 x 1080) (or more)
Operating System	Windows 10/11

MODE MEDİKAL®

Abdi İpekçi Cad. No:58 Bayrampaşa
34030 İSTANBUL / TÜRKİYE
+90 (212) 612 64 09

rapideye

Digital
Solutions



MODE MEDİKAL®



0001-11-22

rapideye

MI-1000

Impressive Performance

Single Jaw
30sec

80 FPS for fast and precise scanning

Rapideye MI-1000 completes a single jaw scan with 20 µm accuracy in less than 30 seconds with image processing at 80 FPS (frames per second).

High Accuracy

Single Tooth
10 µm

Full arch
20 µm

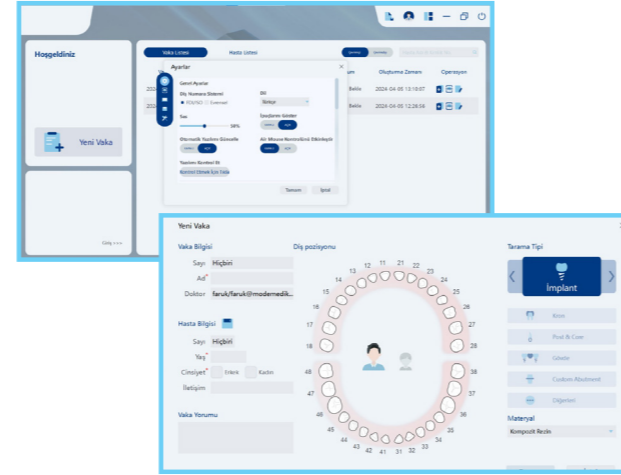
Wider Scanning Area

16x14mm

The MI-1000 provides a wide field of view (16x14mm) in a compact and lightweight design. With its 16mm x 14mm wide field of view, the MI-1000 reduces your scan time by collecting more data in a single frame.



User-Friendly Software

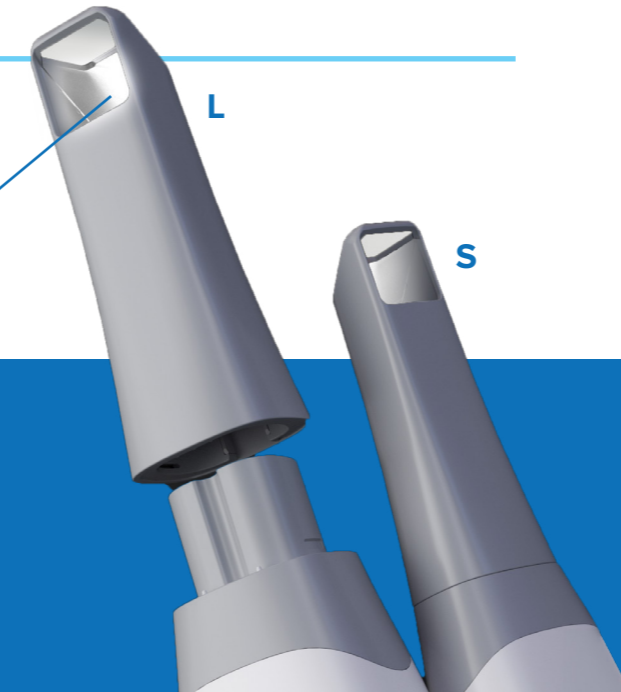


- TR Multilingual Interface**
Multi-language support makes it easier for users to understand and use all the device's functions.
- Cloud Storage**
100 GB of free, optionally expandable storage up to 2TB for fast data transfer
- Smart Reminder**
Smart screens to guidance the user during scanning
- Automatic Software Update**
Free software update
- Online 3D Viewing**
View scan files in 3D in the cloud
- AI Artificial Intelligence Support**
Artificial intelligence prevents data overlaps by automatically removing soft textures.

Scanning Tips (L/S)

Removable and 180° Reversible

With Improved Air Duct Design
Anti-fogging
LED light source



Ergonomic Design

Extra Light
182 gr.

Air Mouse Comfort
One button and you're in control

Upper Jaw - Lower Jaw and Bite Mode Switch Button



Automatic Light Adjustment Sensor:

The MI-1000 instantly adapts to different clinical conditions and reflections of scanning surfaces and automatically adjusts the light strength to ensure clear and optimal scan quality.



Automatic Calibration

RAPIDEYE MI-1000 is a device with automatic calibration technology. This feature allows the device to automatically calibrate itself with each use. This ensures uninterrupted performance and saves users the time associated with manual calibrations.